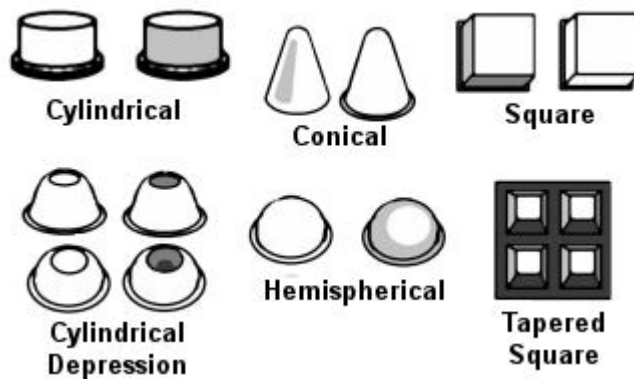




Rubber Products Distributors

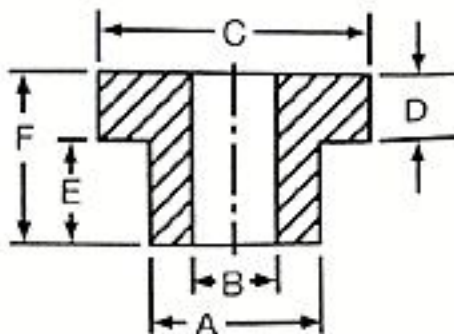
## Printable Product Measurement Specification Diagrams

### Bumpons

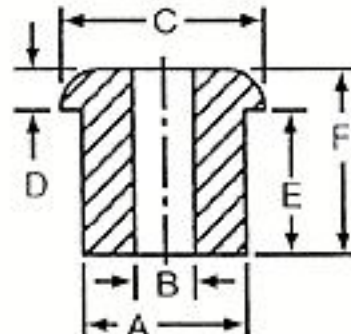


### Bushings

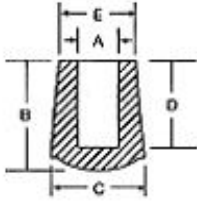
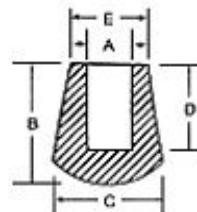
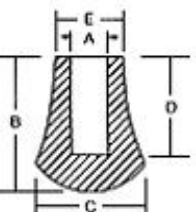
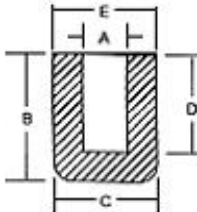
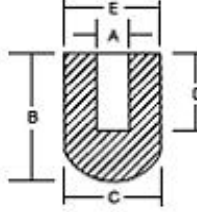
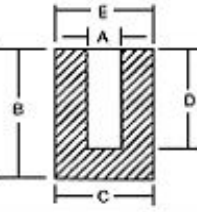
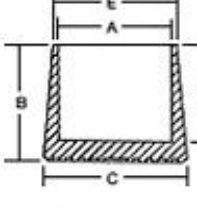
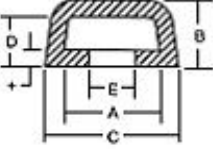
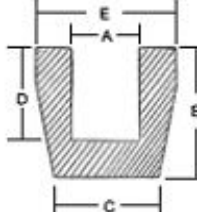
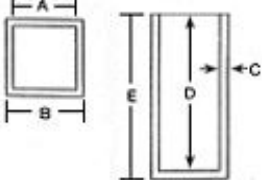
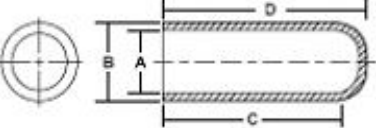

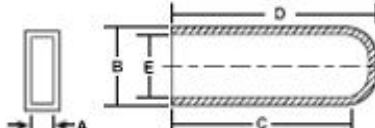
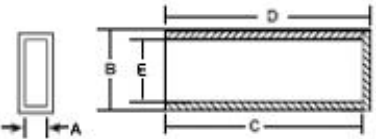
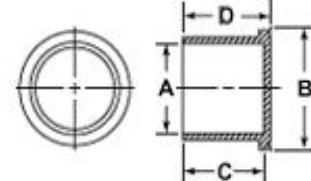
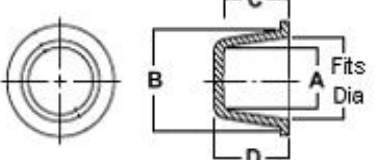
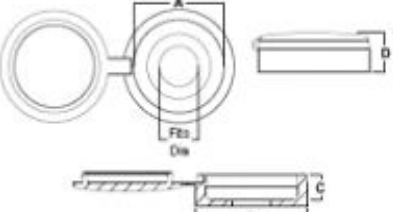
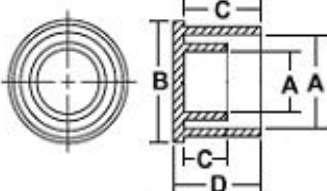
**FLANGED BUSHINGS  
STYLE 1**

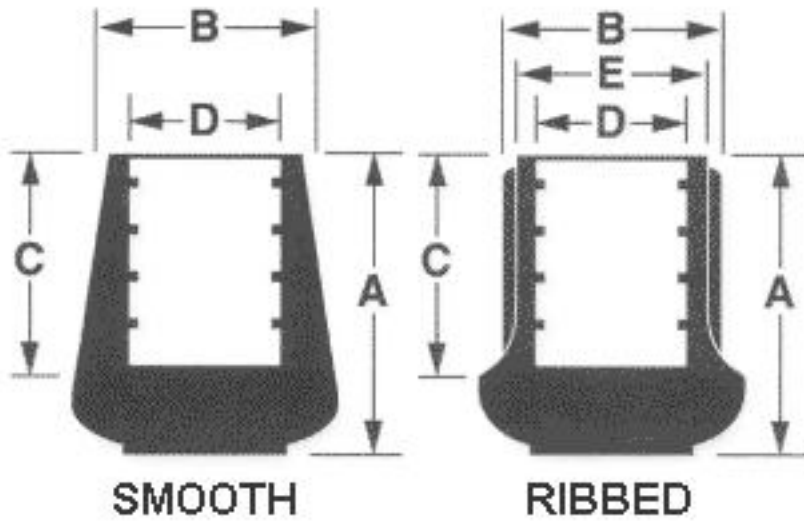


**FLANGED BUSHINGS  
STYLE 2**

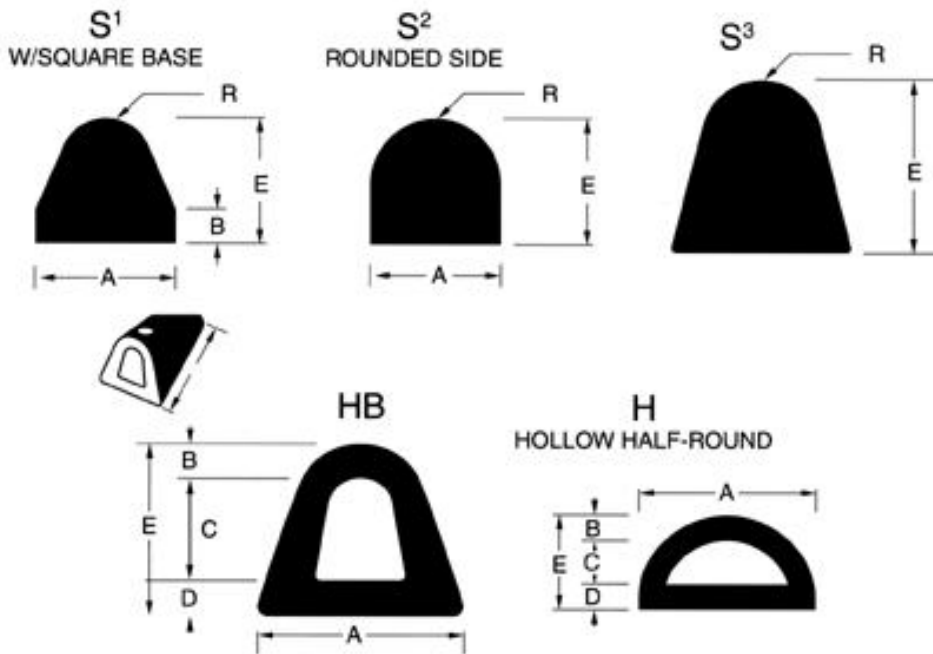


## Caps and Tips

<p>Style 1</p> 	<p>Style 2</p> 	<p>Style 3</p> 	<p>Style 4</p> 	<p>Style 5</p> 
<p>Style 6</p> 	<p>Style 7</p> 	<p>Style 8</p> 	<p>Style 9</p> 	<p>Style 10</p> 
<p>Style 11</p> 	<p>Style 12</p> 	<p>Style 13</p> 		
<p>Style 14</p> 	<p>Style 15</p> 	<p>Style 16</p> 		
<p>Style 17</p> 	<p>Style 18</p> 			

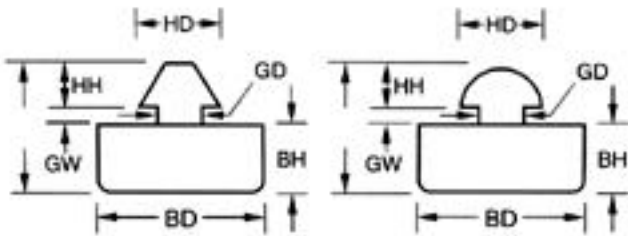


Crutch Tips

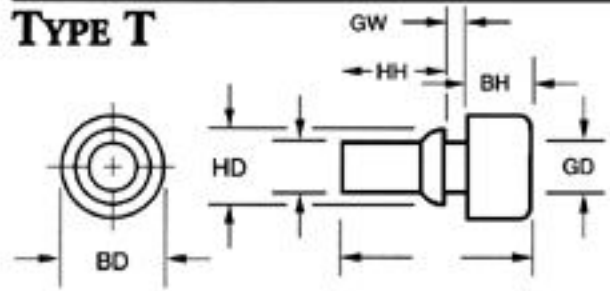


D-Strips

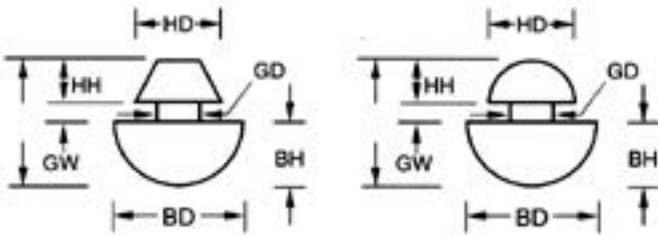
**TYPE F**



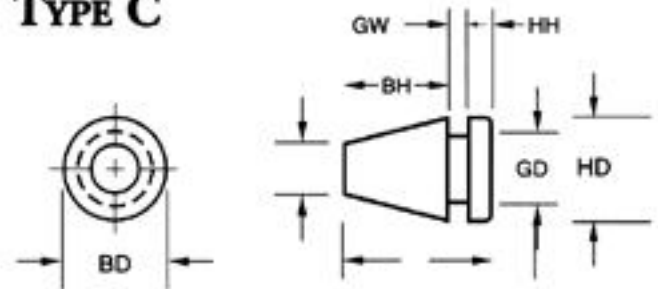
**TYPE T**



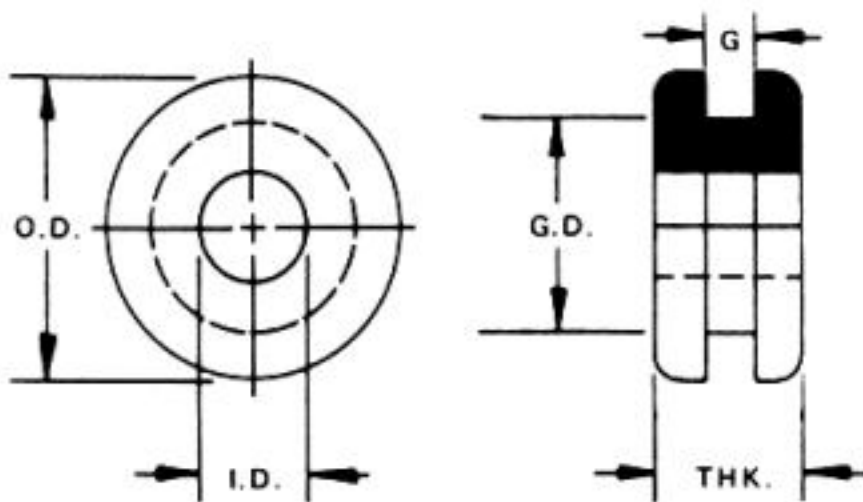
**TYPE D**



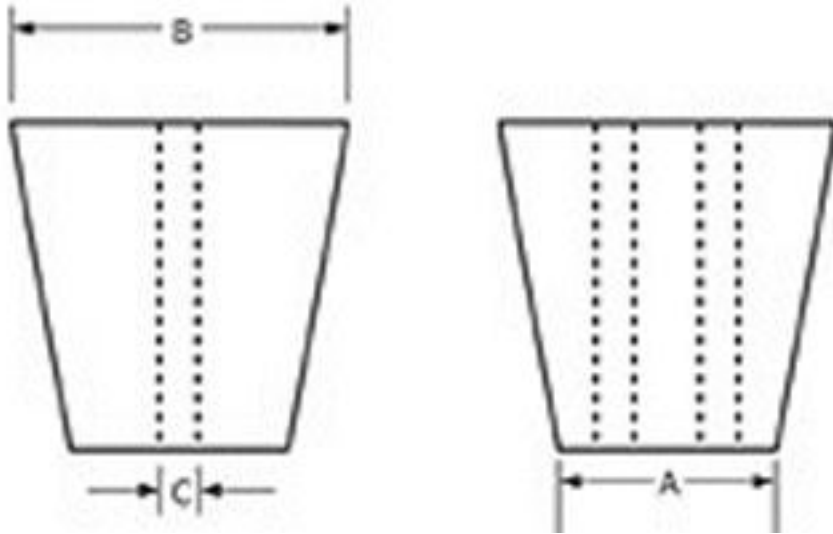
**TYPE C**



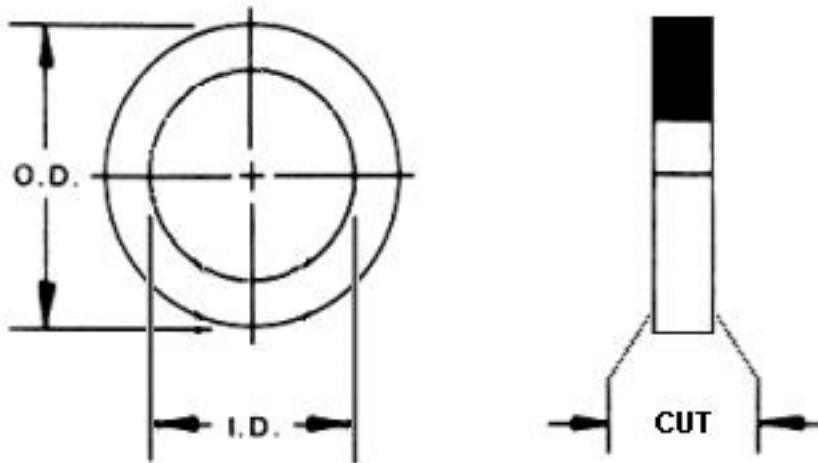
Grommet Bumpers



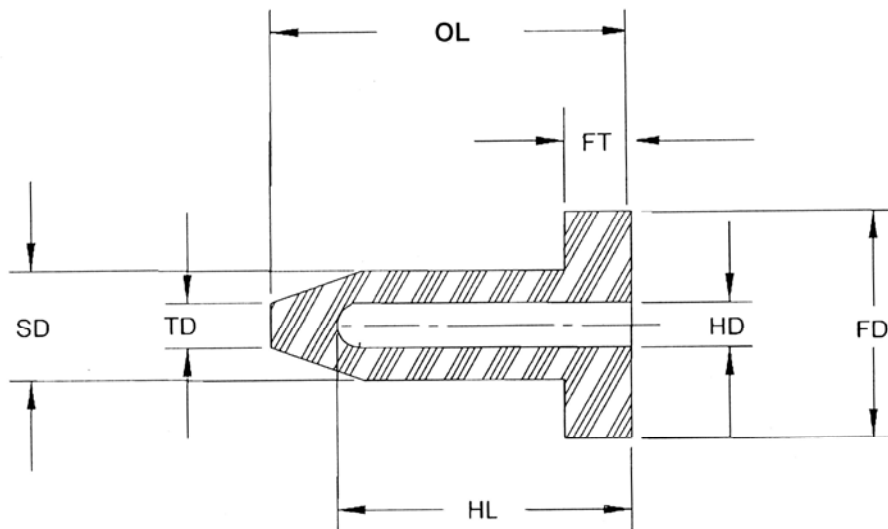
Grommets



Lab Stoppers

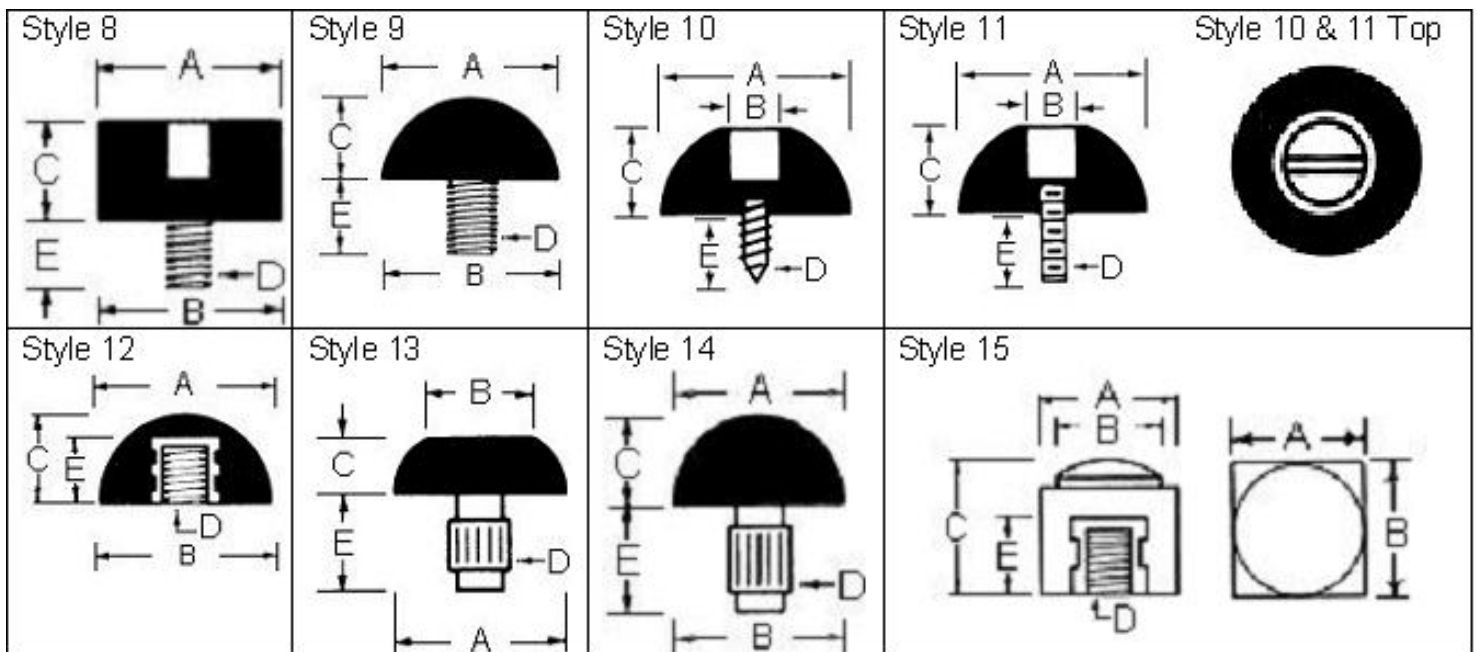


Lathe Cut Gaskets

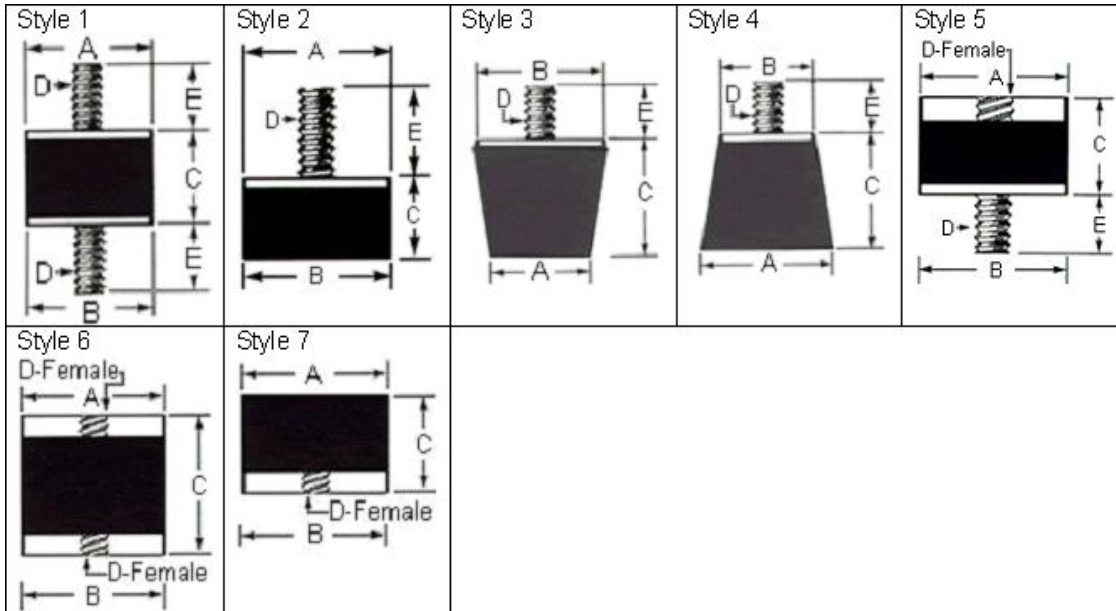


Line Seal Plugs

Bumper Mounts

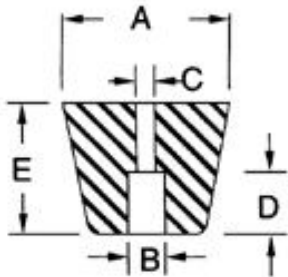


## Vibration Mounts

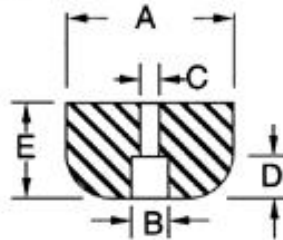


## Recessed Bumpers

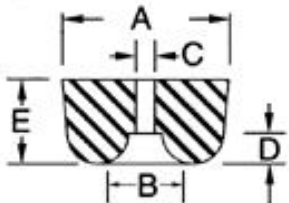
**STYLE 1**



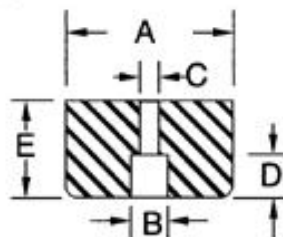
**STYLE 2**



**STYLE 4**

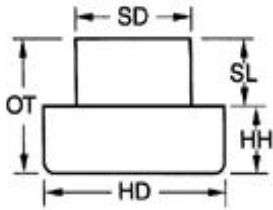


**STYLE 5**

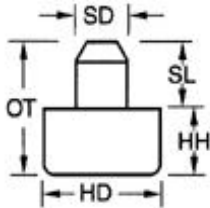


## Stem Bumpers

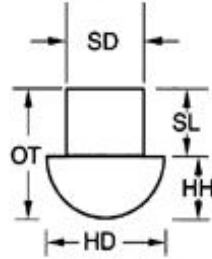
**STYLE 1**



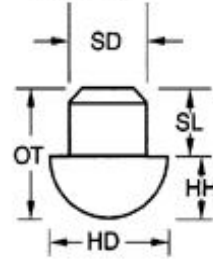
**STYLE 2**



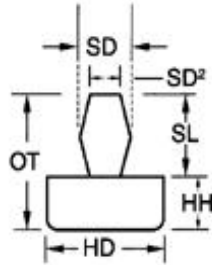
**STYLE 3**



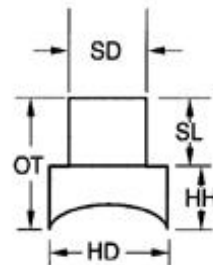
**STYLE 4**



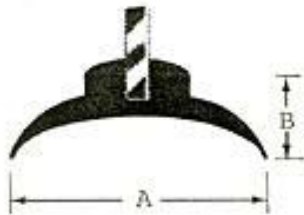
**STYLE 5**



**STYLE 6**



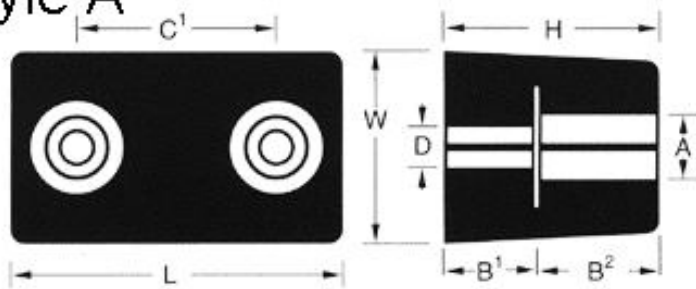
## Suction Cups



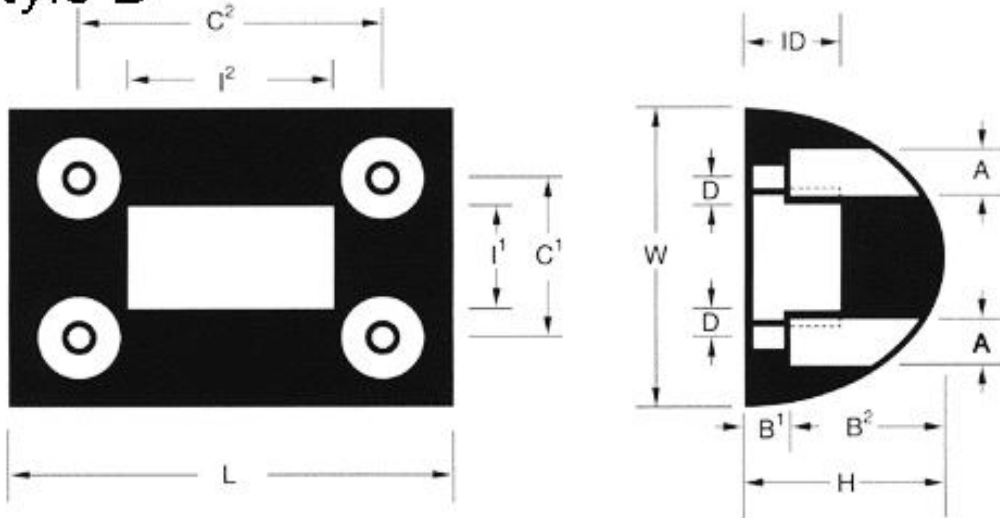


## Truck/Dock Bumpers

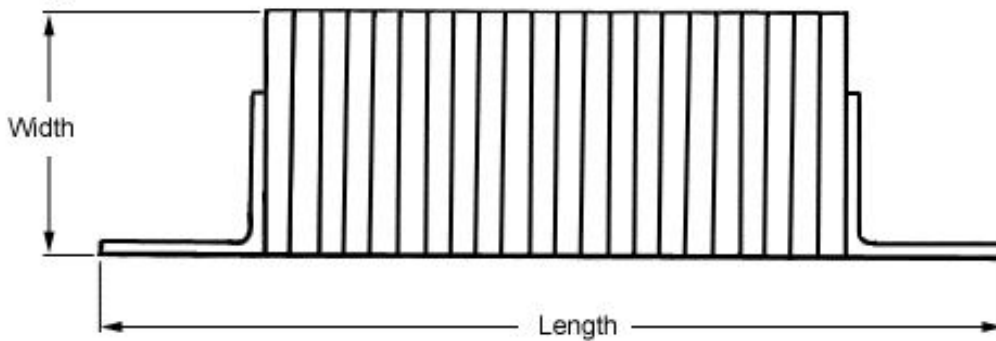
Style A



Style B



Style C



## U-Channel

